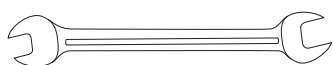


# User Instructions



---

Tools required (not included)



---

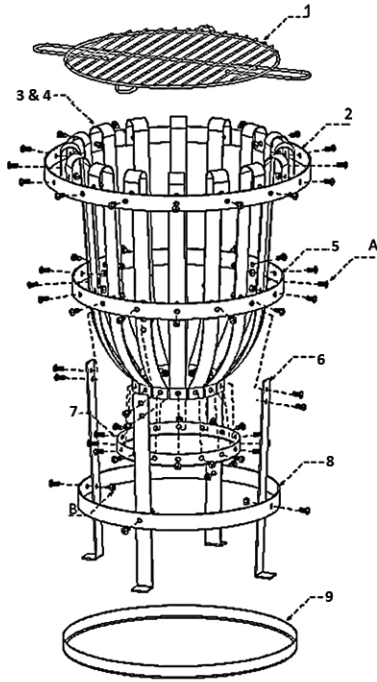
These instructions form part of this appliance. Please be sure to read them before use and keep for future reference. This product is for domestic use only and should not be used commercially or for contract purposes.

**Important - Please read these instructions fully before starting assembly and use. Failure to follow these instructions could result in death, serious injury and/or property damage. Please use correct personal protective equipment when assembling and using this product.**

Please check all packing material carefully before discarding, as some parts may be encased in the packing material. Keep plastic bags out of the reach of children and dispose of safely. Please read the safety recommendations and instructions before use. Keep these instructions in safe place for future reference. We suggest you carry out assembly on a soft surface so as to avoid scratching the paint of the product. We suggest building this product outside to avoid damage to your property as the metal edges may scratch your floor. Please note that because of the nature of metal, you may find roughness on the surface and is not a defect.

- For Outdoor use only. DO NOT use indoors. Place in a well-ventilated area.
- DO NOT use as a refuse incinerator, only intended for use with charcoal or timber.
- NEVER overload this product.
- DO NOT use gasoline, kerosene or alcohol for lighting.
- **DO NOT use spirit or petrol for lighting or re-lighting. Use only firelighters complying to EN 1860-3.**
- Ensure item is fully erected and securely fastened into position before use.
- **Ensure this product is installed on a secure level base prior to use.**
- DO NOT touch metal parts of this product until it has completely cooled to avoid burns, unless you are wearing protective gear.
- NEVER leave this product unattended during operation or cleaning.
- NEVER allow children and pets to operate or play near this product.
- **DO NOT move this product during operation as all parts will become very hot.**
- DO NOT wear loose clothing around this product while in use.
- **WARNING! Keep children and pets away!**
- NEVER attempt to remove the logs while in use.
- ALWAYS wear protective clothing & equipment when adding logs or timber to this product.
- ALWAYS locate this product on a level surface far away from combustibles, wooden fencing, overhanging trees and children and pets.
- Ensure this product is placed on a suitable heat resistant surface to avoid damage, and allow one meter clearance in an open area with good ventilation.
- This is not a table top burner. DO NOT place this product on any tabletop.
- DO NOT use this product in high wind.
- Ensure this product has cooled down completely before removing charcoal ash.
- DO NOT store flammable materials near this product.
- DO NOT use aerosols near this product.
- Modifications of this product may be dangerous and it is not permitted.

**WHILE EVERY EFFORT HAS BEEN MADE BY THE MANUFACTURER TO REMOVE ANY SHARP EDGES, YOU SHOULD HANDLE ALL COMPONENTS WITH CARE TO AVOID INJURY.**



1. Lid	x 1
2. Top ring	x 1
3. Body plates (3 holes)	x 12
4. Body plates (5 holes)	x 4
5. Middle ring	x 1
6. Legs	x 4
7. Base	x 1
8. Bottom ring	x 1
9. Ash tray	x 1
A. M6 Screw	x 60
B. M6 Nut	x 60

TO ENSURE AN EASIER ASSEMBLY, WE STRONGLY ADVISE THAT ALL FITTINGS ARE ONLY FINGER TIGHTENED DURING INITIAL ASSEMBLY. ONLY UPON COMPLETION OF ASSEMBLY SHOULD ALL FIXING BE FULLY TIGHTENED.

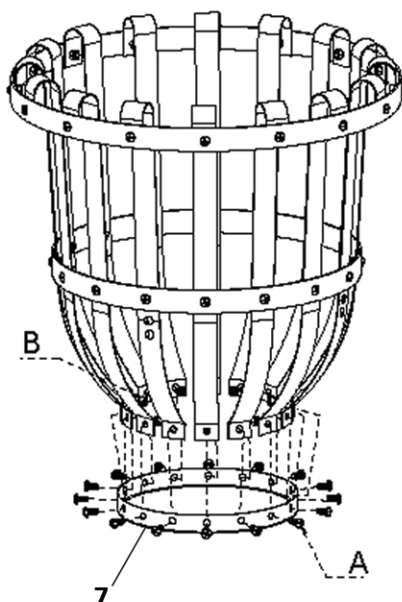
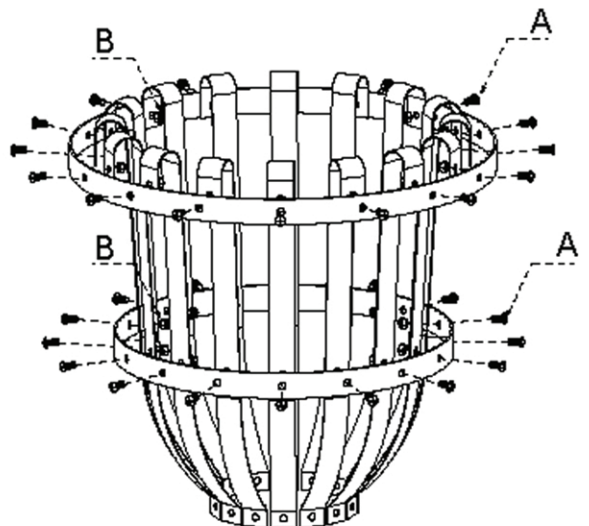
Assembly will be easier with two people, however it is not necessary.

**Step 1. Attach top ring and middle ring to the body plates**

Please note that out of 16 body plates, four of them have five drill holes which should be placed at 4,8,12 and 16 (in order of assembly) for the legs to be attached later.

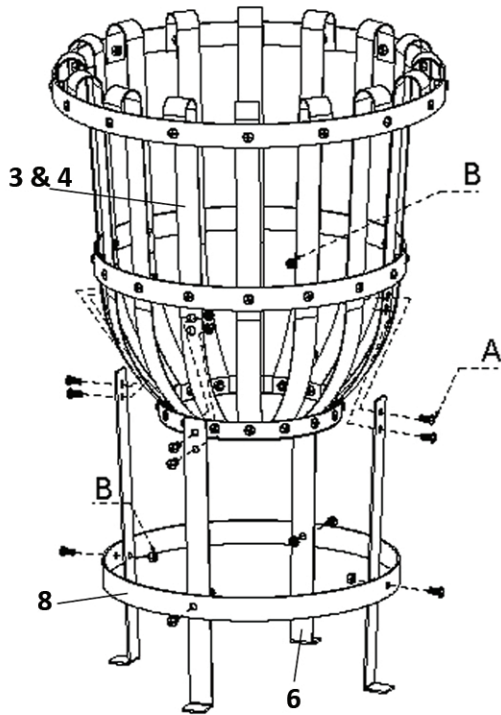
-Attach the middle ring (5) to all 16 body plates (3 & 4) using screws (A) and nuts (B).

- Attach the top ring (2) to the outside edges of the body plates (3 & 4) using screws (A) and nuts (B).



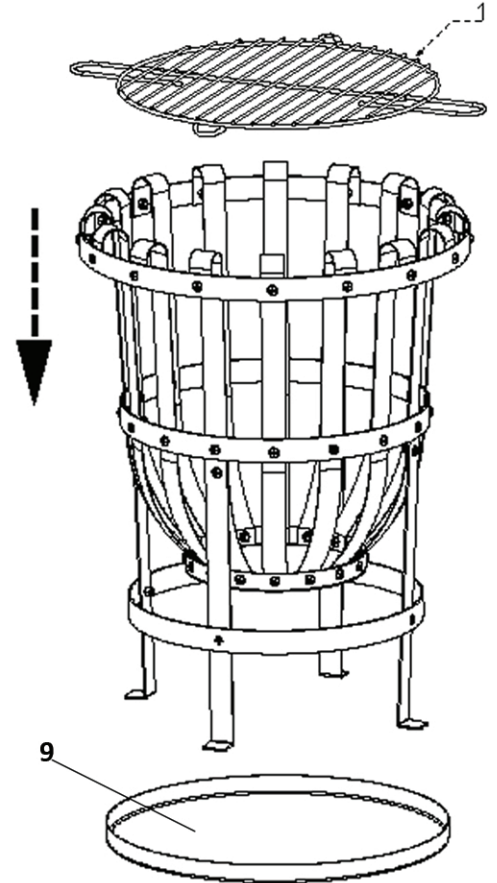
**Step 2. Attach base to the main body**

-Attach the base (7) to the outside bottom of the body plates using screws (A) and nuts (B).



**Step 3. Attach the legs to the main body**

- Attach the four legs (6) to the inside of bottom ring (8) using screws (A) and nuts (B) making sure the bottom of the leg are facing out.
- Attach the legs (6) to the main body plates which have the five holes, placed at 4, 8, 12, and 16, using screws (A) and nuts (B).



**Step 4. Place the log burner onto the ash tray and attach lid.**

- Place the log burner onto the ash tray (9).
- Place the lid (1) onto the log burner.

**Step 5. Tighten all nuts and bolts.**

We recommend a check on all fixing points to make sure they remain fully tightened after 2 or 3 uses and periodically.

**DO NOT** use water on the burner while it is hot as this will damage the metal finish.

Always clean the burner after each use when cooled with warm soapy water. Do not use chemicals or abrasive cleaners.

We recommend the burner to be covered when not in use and store in a cool dry place that is not indoors. Use a suitable fire pit cover when not in use.

**DO NOT** put any part of the fire pit in a dishwasher.